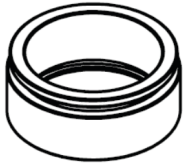
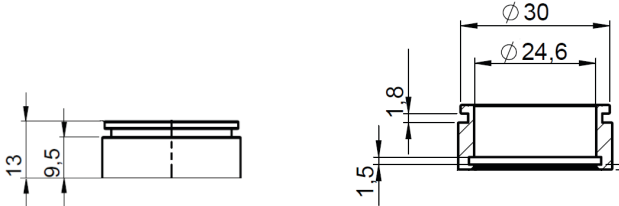


MEA-MEM

MEA-MEM Chamber to cover Glass Rings on MEAs

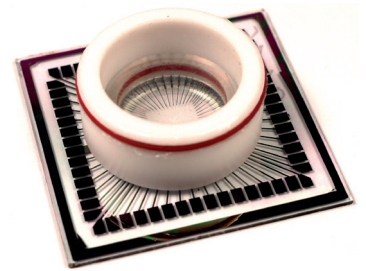


Technical Specification




| | |
|---|---|
| MEA-MEM | Each MEA-MEM chamber has two O-rings, an inner and an outer, both of the same size. The inner O-ring is used to seal the chamber against the wall of the MEA glass ring, the outer one holds down and seals the foil. Use caution when installing the MEA-MEM, since the friction it creates can pull the ring off the MEA. To install the inner O-ring, simply push the O-ring into the inner groove until it is worked in all the way around. |
| ALA MEA-MEM Sheet | ALA MEA-MEM Sheet: (3"x 3" sheets of ethylene-propylene membranes) consist of special foil from DuPont, made of a Teflon polymer that is permeable to gases such as O ₂ and CO ₂ , but not water. This prevents contamination and minimizes medium loss by evaporation. Cultures can be removed from the incubator and observed without fear of contamination or drying out, and they can be cultured directly on heated MEA-Systems. The membrane sheet can be replaced by hand, simply pulling the O-ring over it. Sterilize the ALA MEA-MEM sheets by Ethylenoxid gas. |
| Cleaning and Sterilization | The MEA-MEM should be disassembled for complete washing. Remove O-rings and membrane sheet. Clean the MEA-MEM using only detergent and water. Rinse with distilled water. Clean both MEA-MEM chamber and ALA MEA-MEM sheets for more than 30 minutes submerged in 70 % alcohol. Please dry the sheets mounted on the MEA-MEM overnight on a clean bench. Or sterilize the ALA MEA-MEM sheets by Ethylenoxid gas. It is recommended to replace both the membrane sheet and the O-rings after using the MEA-MEM chamber. |
| Important! | Do not autoclave the MEA-MEM chamber as damage may occur. Do not use cleaning solvents other than those described above. |
|  |  |
| Two O-Rings | Inner and Outer Ring: 24 mm x 1.5 mm |
| Scope of Delivery | 1 MEA-MEM Chamber, 2 O-Rings |

Set of five MEA-MEM Chambers

Five MEA-MEM Chambers to cover Glass Rings on MEAs



Technical Specification

| | |
|-------------------|--|
| MEA-MEM Chambers | <p>Set of 5 MEA-MEM chambers with 10 identical O-rings</p>  |
| ALA MEA-MEM Tool | <p>Tool for smoothing and positioning the ALA MEA-MEM sheet on the MEA-MEM chamber, so that the membrane is neat and flat on top of the culture chamber. ALA Scientific Instruments Inc.</p>  |
| ALA MEA-MEM Sheet | <p>Set of 10 3" x 3" sheets of fluorinated ethylene-propylene membranes for sealed culture dishes MEA-MEM. From ALA Scientific Instruments Inc.</p>  |
| Scope of Delivery | <p>1 Set of 5 MEA-MEM Chambers 1 Set of 10 O-Rings 1 Set of 10 ALA MEA-MEM Sheets 1 ALA-MEA-MEM Tool</p> |